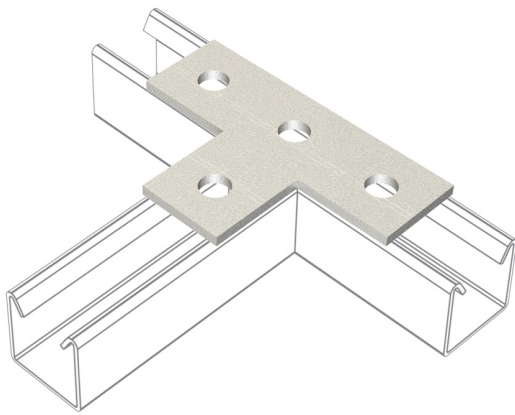


**PRODUCT CODE: MP7**  
CHANNEL BRACKET



**DESCRIPTION**

Flat T Bracket

**FINISH**

Hot Dipped Galvanised

**MATERIAL**

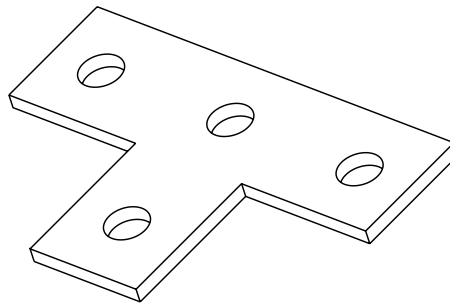
Steel

**PACKAGING**

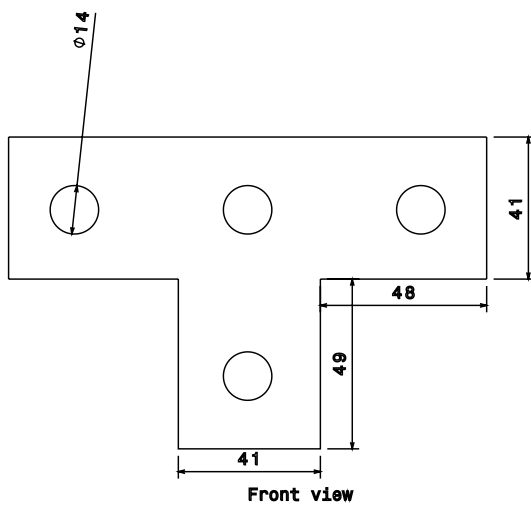
Packed in qty 25

**ADDITIONAL NOTES**

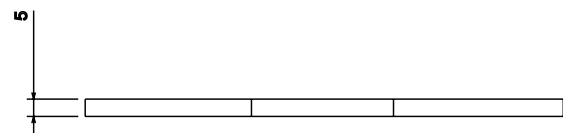
Compliant to LU Standard 1-085 (for use on surface & sub-surface locations)



Isometric view



Front view



Side view